

Ref: 39.012

Features:

- Protection: short circuit
- Protection: overload
- Protection: over voltage
- Protection: over temperature
- Cooling by free air convection
- Pass LPS
- Degree of protection: IP67
- Protection class II



Output	Power	18W
	Voltage (V)	24V
	Rated current	0.75A
	Current range	0 ~ 0.75A
	Ripple and noise (max.)	150mV
	Voltage tolerance	± 3.0%
	Line regulation	± 1.0%
	Load regulation	± 2.0%
	Setup, rise time	1500ms, 30ms / 230VAC
	Hold up time	50ms / 230VAC at full load
Input	Voltage range	180~264VAC - 254~370VDC
	Frequency range	47~63Hz
	Efficiency	82%
	AC current	0.3A / 230VAC
	Inrush current	cold start 50A (twidth=155µs measured at 50% Ipeak) at 230VAC
	Circuit breaker	17 units (circuit breaker of type B) / 28 units (circuit breaker of type C) at 230VAC
Protection	Leakage current	0.25mA / 240VAC
	Overload	Above 105% rated output power
	Over voltage	27.8 ~ 32.4V (shut down o/p voltage, re-power on the recover)
Environment	Over temperature	Hiccup mode, recovers automatically after temperature goes down
	Working temperature	-30 ~ +70°C
	Working humidity	20 ~ 90% RH non-condensing
	Storage temperature humidity	-40 ~ +80°C, 10 ~ 95% RH
	Temperature coefficient	± 0.03% °C (0 ~ 50°C)
	Vibration	10 ~ 500Hz, 2G 10min / 1cycle, period for 60 min. each along X, Y, Z axes
Other	Degree of protection	IP67
	MTBF	1200.6K hrs min. MIL-HDBK-217F (25°C)
	Dimension	140x30x22mm
	Packing	1 unit
	Guarantee	2 years



Assembly and Safety Information

Applied standards CE:

- EN 62368-1
- EN 61000-3-2
- EN 61000-3-3
- EN 61000-3-3
- EN 61000-4-2
- EN 61000-4-3
- EN 61000-4-4
- EN 61000-4-5
- EN 61000-4-6
- EN 61000-4-8
- EN 61000-4-11
- EN 55032
- EN 55024

Applied standards CB:

- IEC 62368-1

Measurements:

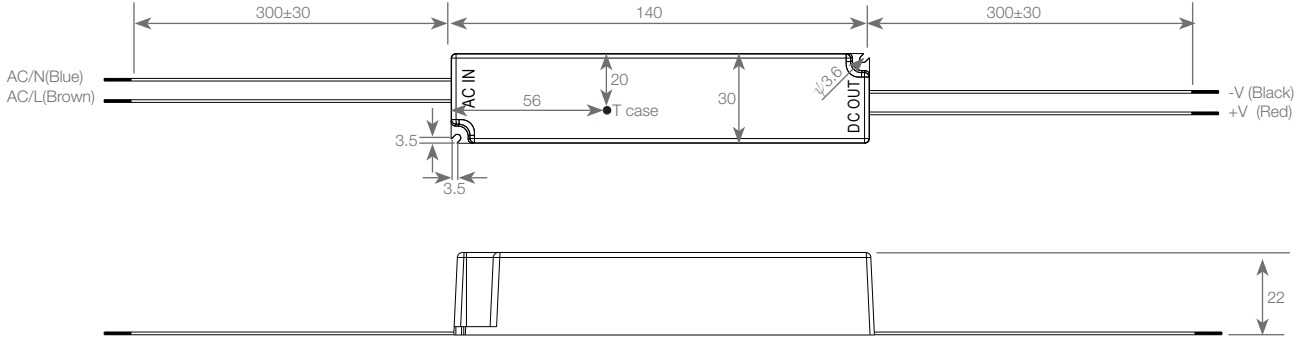
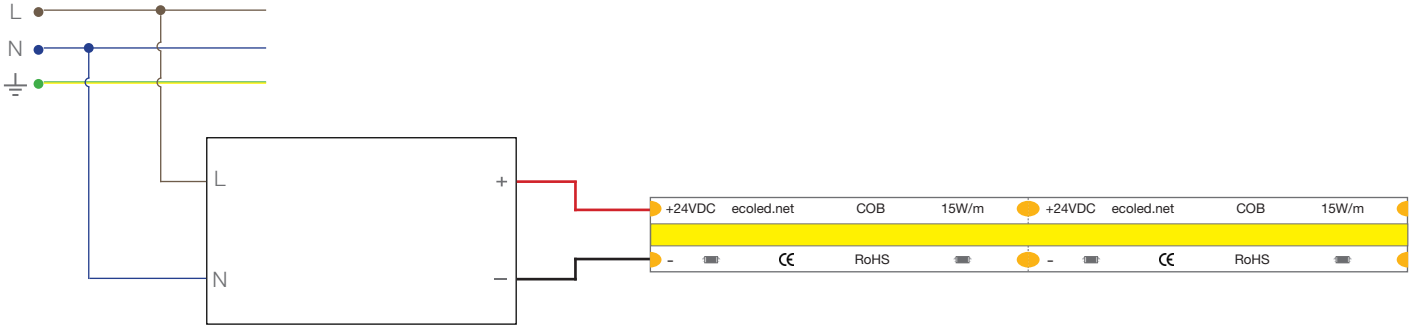
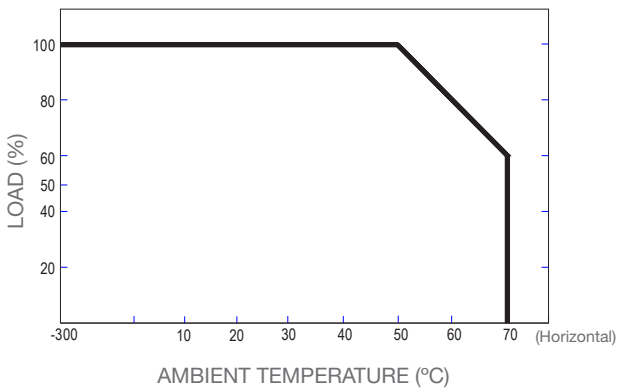


Diagram:



Type performance graphs

Derating Curve



Static Characteristics

